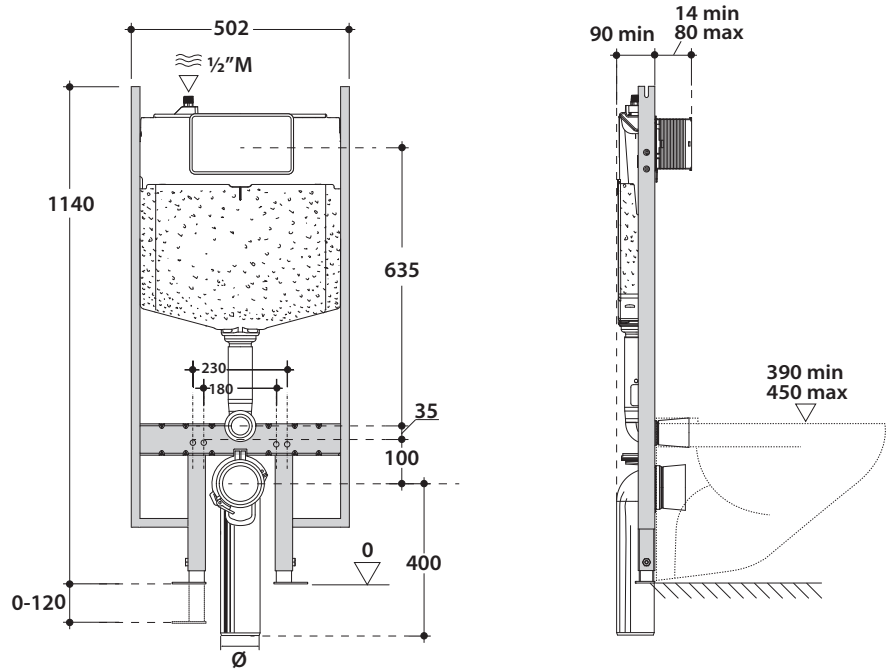


# CISTERN FLUSH FOR WALL-HUNG WC ON PLASTERBOARD WALLS

# GLOBO

## CAINSO3

CE EN 14055:2010



Cod. **CAINSO3**

Cistern flush built-in to double button for wall-hung pan with plasterboard walls. 2,6lt partial discharge, total discharge 4lt. Weight 12,5 Kg