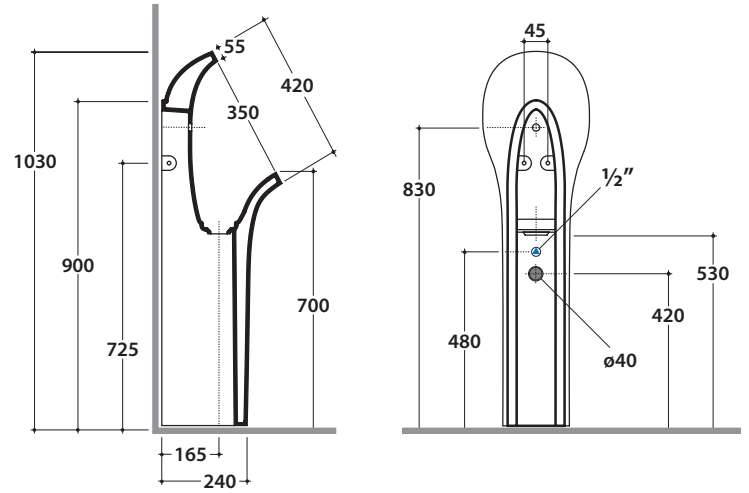
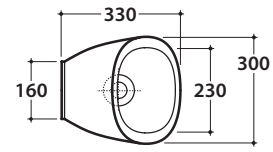


OLIVIA FLOOR MOUNTED URINAL OL029BI

CE EN 13407:2015

GLOBO



Ceramic antibacterial effect
BATAFORM®



Glazed product with
CERASLIDE®

Cod. **OL029BI**

Floor mounted urinal 30.33 h103 cm. Fixing kit included, water supply and drainage system. Weight 27 Kg