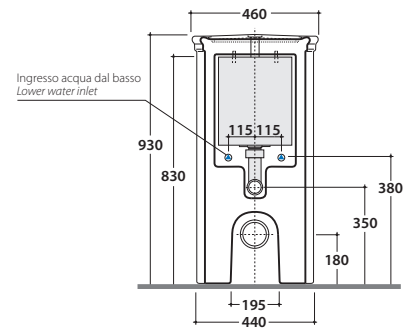
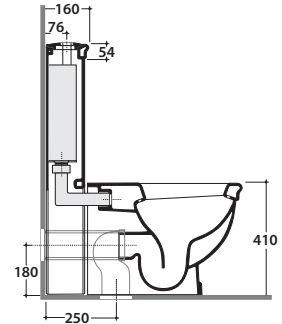
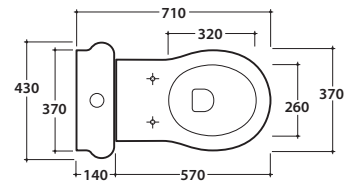


PAESTUM CERAMIC MONOLITH SHELL PA137BI

GLOBO



Ceramic antibacterial effect
BATAFORM®



Drain 4,5/3 lt



Glazed product with
CERASLIDE®

Cod. **PA137BI**

Ceramic monolith shell 16.43 h93 cm. for Wc cod. PA025.
Fixing kit included. Weight 25 Kg

Cod. **FI019**

Fixing kit for monolite cistern PA137

Cod. **BA016**

Plastic antimoisture shell with chrome button and dualflush mechanism 4,5/3 Lt (Geberit). Lower water inlet left/right

Cod. **BA017**

Plastic antimoisture shell with bronze button and dualflush mechanism 4,5/3 Lt (Geberit). Lower water inlet

Cod. **BA018**

Plastic antimoisture shell with gold button and dualflush mechanism 4,5/3 Lt (Geberit). Lower water inlet left/right



Cod. **VA077**

Elbow pipe for floor drain. Adjustable 10/20 cm. Weight 0,3 Kg



Cod. **VA079**

Elbow pipe for floor drain. Weight 0,3 Kg



Cod. **VA078**

Elbow pipe for floor drain. Adjustable 20/27 cm. Weight 0,3 Kg



Cod. **VA076**

Pipe for wall drain 35cm. Weight 0,2 Kg

