

STOCKHOLM BASIN FO090BI

CE EN 14688:2015

GLOBO

Recessed installation



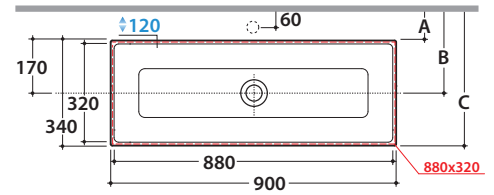
Ceramic antibacterial effect
BATAFORM®



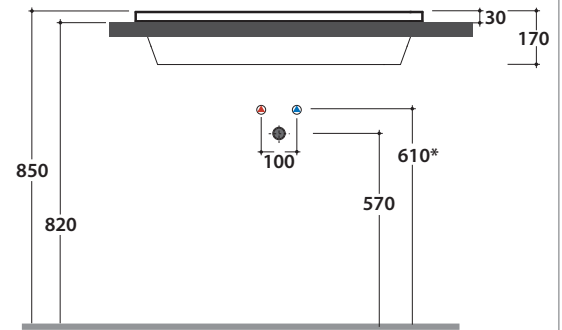
Glazed product with
CERASLIDE®

Cod. **FO090BI**

Basin 90.34 h17 cm. Recessed installation or under top installation by fixing kit FKSG5. Weight 19 Kg

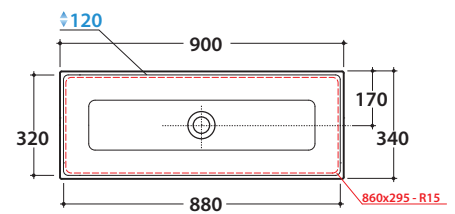


	Rubinetto a parete Wall mounted taps	Rubinetto su piano Taps mounted on counter top
A:	90	115
B:	260	285
C:	430	455



* For taps mounted on counter top

Under top installation



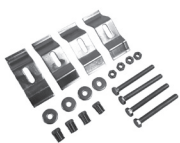
Cod. **FI012BI**

Push open valve drain with ceramic top for basins with overflow. Weight 0,5 Kg



Cod. **FI012CR**

Push open chromed valve drain for basins with overflow. Weight 0,5 Kg



Cod. **FKSG5**

Fixing kit for under top basin.